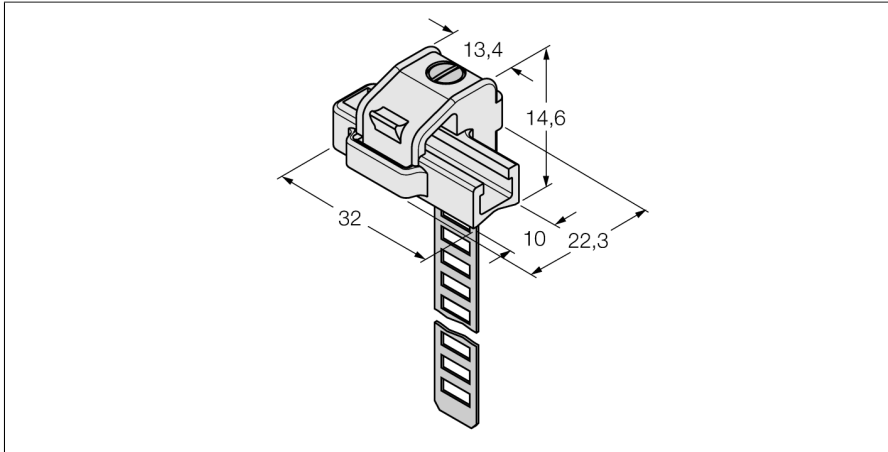


Mounting Accessories

Mounting Bracket

For Mounting UNT Magnetic Field Sensors

KLRC-UNT1



- Mounting on round cylinders
- Cylinder diameter: 8...25 mm
- Material: PA 6I/6T/Nickel silver
- Fire-hazard classification acc. to UL94 - V2

| | |
|--|---------------------------------------|
| Type | KLRC-UNT1 |
| ID | 6970626 |
| Design | Accessories |
| Dimensions | 32 x 22.3 x 14.6 mm |
| Housing material | Metal/plastic, PA 6I/6T/Nickel silver |
| Fixing clamp for correspondent cylinder diameter | 8...25 mm |