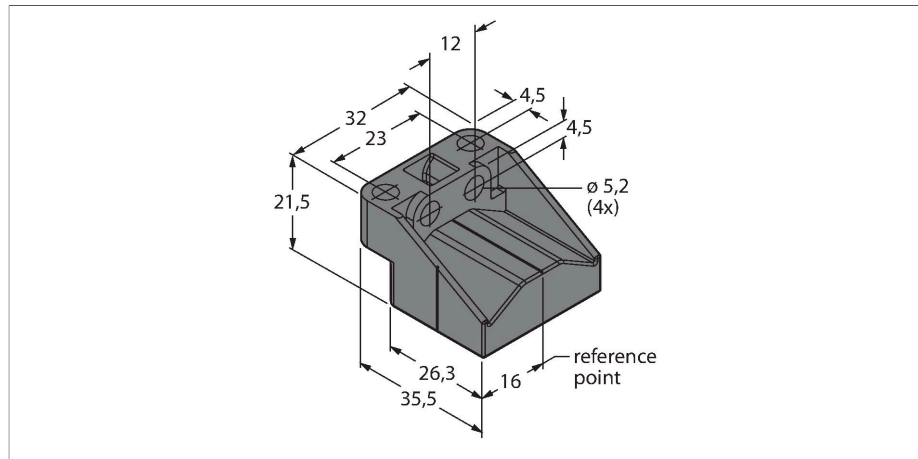


# P3-LI-Q25L

## Accessories – Positioning Element For Linear Position Sensors LI-Q25L



### Features

- Free positioning element
- 90° offset application
- Installation up to 4mm away from the sensor.

### Technical data

<b>Type</b>	P3-LI-Q25L
<b>Ident. no.</b>	6901044
<b>Design</b>	P3-Li-Q25L
<b>Housing material</b>	Plastic