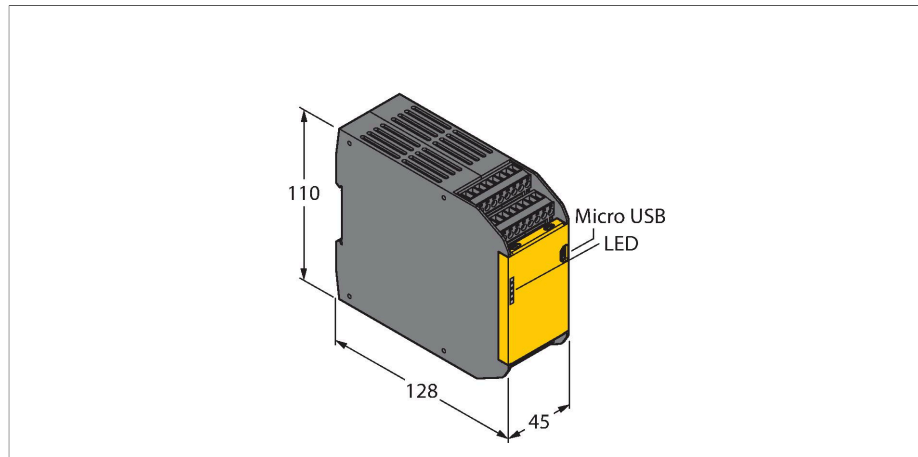


XS26-2

Safety Technology – Expandable Programmable Safety Controller



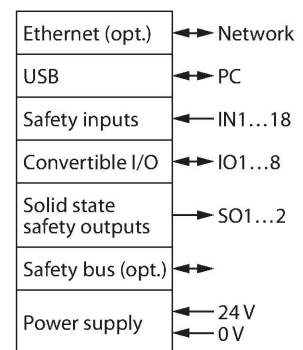
Features

- PLe acc. to ISO 13849-1
- SIL 3 acc. to IEC 61508 and IEC 62061
- Settings made via pushbutton or software
- Expandable with relays, input and output modules
- 26 inputs, of which 8 can be reconfigured as outputs
- 2 independent safety outputs
- Intuitive programming interface
- Operating voltage 24 VDC +20%
- Protection class IP20
- Freeware (included in delivery)

Technical data

Type	XS26-2
ID	3085061
Function	Controller
Operating voltage	20...28 VDC
Number of safe semiconductor outputs	2
Response time typical	< 10 ms
Design	Rectangular, XS26
Housing material	Plastic
Electrical connection	Removable terminal block, reverse polarity protected, screw connection
Ambient temperature	0...+55 °C
Relative humidity	0...90 %
Protection class	IP20
Tests/approvals	
Approvals	CE, cULus listed

Wiring diagram



Functional principle

The safety controller can have multiple safety relay modules for the use of emergency stop switches, door-lock switches, safety light screens, two-hand controls, safety mats and other protective devices. The safety controller can be configured with the software and automatically generates a wiring diagram and a ladder diagram logic. For the transfer of software created configuration you can either connect a serial USB-cable or an XM-memory card to the the Micro USB port of the controller.

Accessories

Dimension drawing	Type	ID	
<small>Kein Maßbild vorhanden/ No dimension drawing available</small>	SC-TC2	3085078	Terminal block with cage clamps; 8 ports
<small>Kein Maßbild vorhanden/ No dimension drawing available</small>	SC-TS2	3085076	Terminal block with cage clamps; 8 ports

Dimension drawing	Type	ID	
	SC-XMP2	3029482	Programming adapter

Kein Maßbild vorhanden/
No dimension drawing available

Accessories

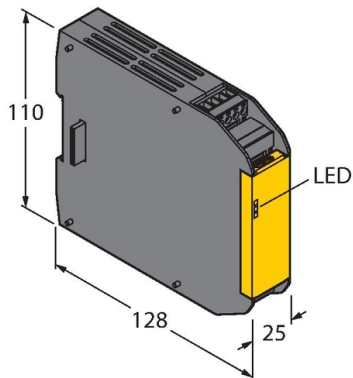
Dimension drawing	Type	ID	
	SC-USB2	3029480	Serial USB cable, type A to Micro-B; length: 1.8m

Kein Maßbild vorhanden/
No dimension drawing available

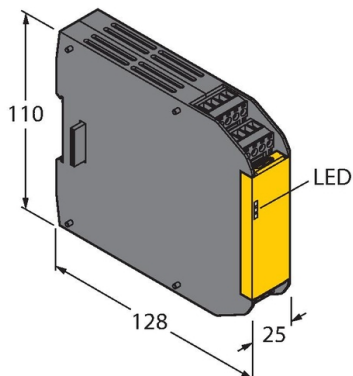
SC-XM2	3029481	External memory card, Micro-B; EEPROM configuration
--------	---------	--

Kein Maßbild vorhanden/
No dimension drawing available

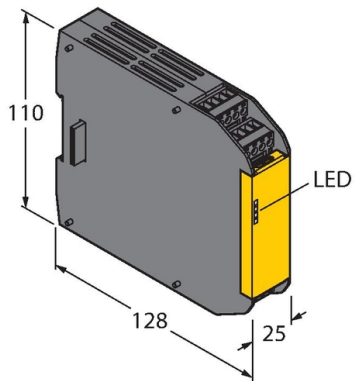
CD ROM XS26-2 SAFETY CONTROLLER CONFIGUR XS8SI	3090443	CD-ROM, configuration software, operating instructions;
	3085070	Safety input module (8 inputs)



XS16SI	3085069	Safety input module (16 inputs)
--------	---------	---------------------------------



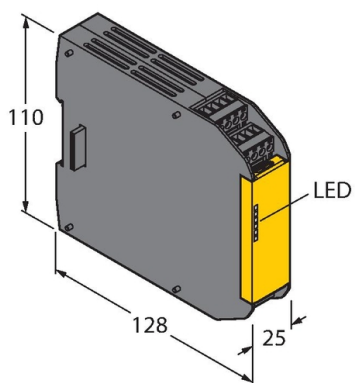
Dimension drawing	Type	ID	
-------------------	------	----	--



XS2SO

3085072

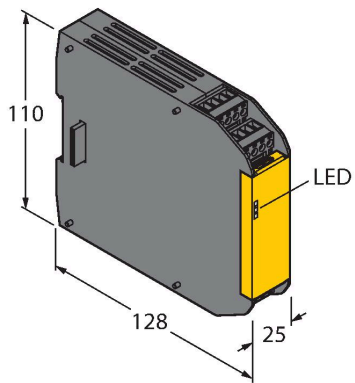
Safety output module (2 outputs)



XS4SO

3085073

Safety output module (4 outputs)



XS1RO

3085074

2-channel safety relay output (1 output)

Dimension drawing	Type	ID	
	XS2RO	3085075	2-channel safety relay output (2 outputs)

