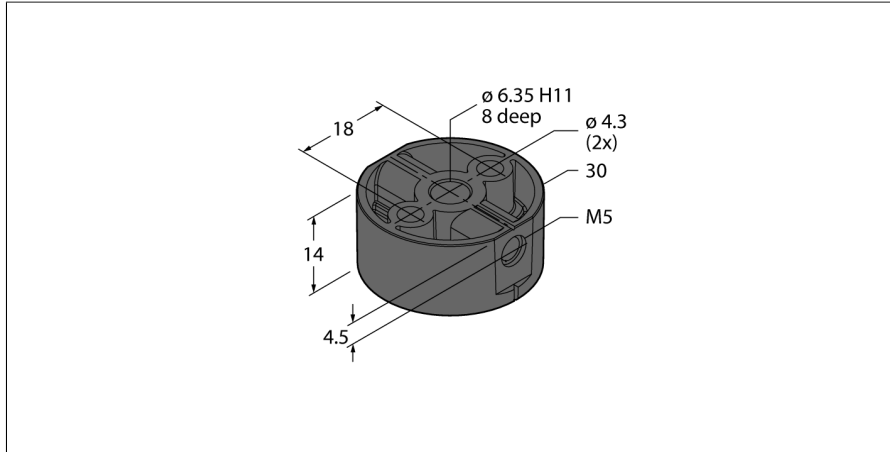


Accessories

Positioning Element

For Encoders RI-QR20

P2-RI-QR20



- Positioning Element
- Hollow shaft with 1/4 inch inner diameter
- Incl. mounting option for shaft adapter

Type	P2-RI-QR20
ID	1593042
Remark to product	Vibration and shock resistance depends on the way the transducer is mounted.
Housing material	Plastic, PC
Ambient temperature	-40...+85 °C
Temperature changes (EN60068-2-14)	-40... +85 °C; 20 cycles
Vibration resistance	55 Hz (1 mm)
Vibration resistance (EN 60068-2-6)	20 g; 10...3000 Hz; 50 cycles; 3 axes
Shock resistance (EN 60068-2-27)	100 g; 11 ms 1/2 sine; 3 x each; 3 axes
Continuous shock resistance (EN 60068-2-29)	40 g; 6 ms 1/2 sine; 4000 x each; 3 axes
Salt spray test (EN 60068-2-52)	Severity degree 5 (4 test cycles)
Protection class	IP68 IP69K